

# tineco

## A30S PET Stick Vacuum Cleaner

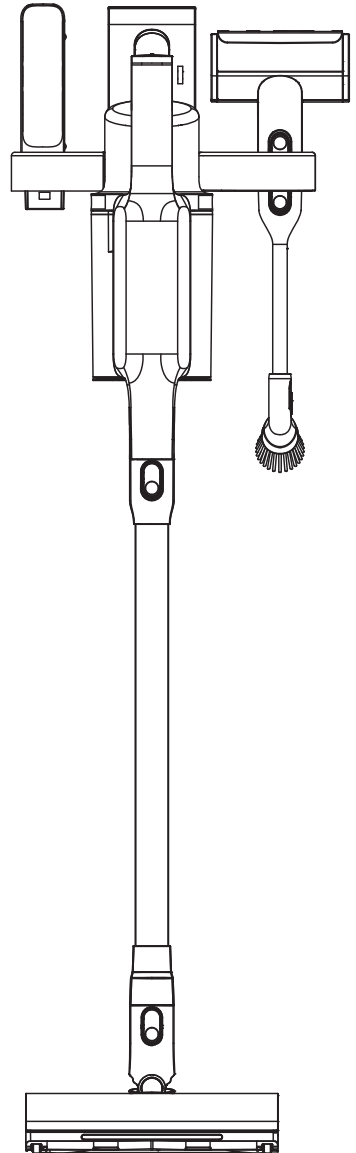
Instruction Manual

Panduan Petunjuk

คู่มือการใช้งาน

説明書

Hướng Dẫn Sử Dụng



\*Actual product may differ from illustration.



# CONTENTS

Important Safety Instructions.....	2
Specifications.....	4
Troubleshooting.....	5
Warranty.....	6
Assembly.....	37
Settings.....	38
Battery Indicators.....	39
Charging Options.....	40
Maintenance.....	41

# Important Safety Instructions

When using an electrical appliance, basic precautions should always be followed, including the following:

READ ALL INSTRUCTIONS BEFORE USING (THIS APPLIANCE). Failure to follow the warnings and instructions may result in electric shock, fire and/or serious injury.

**WARNING** – To reduce the risk of fire, electric shock, or injury:



1. This appliance can be used by children aged from 8 years and above and persons with reduced physical, sensory or mental capabilities or lack of experience and knowledge if they have been given supervision or instruction concerning use of the appliance in a safe way and understand the hazards involved. Children should not play with the appliance. Cleaning and user maintenance shall not be performed by children without supervision.
2. The appliance is not to be used by persons (including children) with reduced physical, sensory or mental capabilities, or lack of experience and knowledge, unless they have been given supervision or instruction.
3. For **INDOOR** use **ONLY**. Do not use the appliance in outdoors, nor in commercial or industrial environments. Do not use the appliance on wet surfaces or surfaces with standing water.
4. Do not allow to be used as a toy. Close attention is necessary when used by or near children, pets or plants.
5. Use only as described in this manual. Use only manufacturer's recommended attachments.
6. Do not use with a damaged cord or plug. If appliance has been dropped, damaged, left outdoors, dropped into water, or is not working as it should, return it to a service center.
7. Do not handle charger, including charger plug, and charger terminals with wet hands.
8. Do not block openings. Stop use if openings become blocked. Clean and remove any blocked objects according to the manual instructions.
9. Keep hair, loose clothing, fingers, and all parts of your body away from openings and moving parts.
10. Use extra care when cleaning on stairs.
11. Do not use to pick up flammable or combustible liquids, such as gasoline, or use in areas where they may be present.
12. Do not pick up anything that is burning or smoking, such as cigarettes, matches, or hot ashes.
13. Do not use without dust container and filter.
14. Prevent unintentional activation. Ensure the switch is in the off position before charging, picking up or carrying the appliance. Carrying the appliance with your finger on the switch or powering on the appliance with the switch on may cause accidents.
15. For the purposes of recharging the battery, only use the detachable supply unit provided with this appliance. A charger that is suitable for one type of battery pack may create a risk of fire when used with another battery pack.
16. Disconnect the battery pack from the appliance before making any adjustments, changing accessories, or storing appliance. Such preventive safety measures reduce the risk of starting the appliance accidentally.

17. Under improper usage, liquid may be ejected from the battery; avoid contact. If contact accidentally occurs, flush with water. If liquid comes into eye contact, seek medical help. Liquid ejected from the battery may cause irritation or burns.
18. Do not use the appliance that is damaged or modified. Damaged or modified batteries may exhibit unpredictable behavior resulting in fire, explosion or risk of injury.
19. Do not expose the appliance to fire or excessive heat. Exposure to fire or temperatures above 266°F (130°C) may cause an explosion.
20. Follow all charging instructions and do not charge the appliance outside of the temperature range specified in the instructions. Charging improperly or at temperatures outside of the specified range may damage the battery and increase the risk of fire.
21. Have servicing performed by a qualified repair person using only identical replacement parts. This will ensure that the safety of the product is maintained.
22. This appliance contains battery cells that are non-replaceable. Do not modify or attempt to repair the appliance or the battery pack except as indicated in the instructions for use and care.
23. Always turn off this appliance before connecting or disconnecting the motorized nozzle.
24. Do not charge or store the appliance outdoors or inside a car. Only charge, store or use the appliance in a dry indoor area where the temperature is higher than 39.2°F (4°C) but lower than 104°F (40°C). The charger is for indoor use only.
25. Use appliances only with specifically designated battery packs. Use of any other battery packs may create a risk of injury and fire.
26. When battery pack is not in use, keep it away from other metal objects, like paper clips, coins, keys, nails, screws or other small metal objects, that can make a connection from one terminal to another. Shorting the battery terminals together may cause burns or a fire.


## SAVE THESE INSTRUCTIONS

# Specifications

EN

Product Name	A20 / Tineco Go Series
Voltage	21.6V 
Rated Power	300W
Dust Bin Capacity	1L
AC Input	100-240V~
<b> </b>	
Product Name	A30S / Tineco Go Pet Series
Voltage	25.2V 
Rated Power	500W
Dust Bin Capacity	1L
AC Input	100-240V~

## Disposal

- The battery contains materials that are harmful to the environment and must be removed from the appliance before it is discarded.
- When removing the battery, the appliance must be powered off.
- Batteries, chargers, accessories and packaging should be sorted for environmental friendly recycling. Do not put them into fire, water or soil. Do not dispose of batteries and chargers into household waste! 
- If battery leakage contacts skin or clothing, immediately flush with water to avoid irritation and seek medical help.

# Troubleshooting

Problem	Possible cause	Solution
The appliance does not turn on	No power	Charge the battery
	The suction mouth is blocked	Check and remove blockages
	The battery is still connected to the adapter	Disconnect the battery from the adapter
Weak suction power	Dust bin and filters are full	Clean the dust bin and filters
	Parts assembly is not in position	Check all the parts and put them in position
	The appliance is blocked (i.e. the tube, suction mouth or some other parts)	Remove blockages
Abnormal motor sounds	The appliance is blocked (i.e. the tube, suction mouth or some other parts)	Remove blockages
Battery won't charge	The adapter is not inserted in position	Remove the adapter and reinsert correctly
	The adapter is not correct	Check the adapter and change to use correct adapter
Rapid blinking red light on battery	The appliance is blocked or the brush roller tangled with hairs or fibers	Stop the appliance, remove blockages or clean the brush roller
	The battery is overheated	Let the battery cool
	The adapter is not designed for this appliance	Use the original adapter
Slow blinking red light on battery	The battery is out of power	Charge the battery

## Note:

If the above troubleshooting guide fails to provide a solution, please visit our website [www.tineco.com](http://www.tineco.com) for further support.

# Warranty

## 2-YEAR LIMITED WARRANTY

- Only applies to purchases made from authorized retailers of Tineco.
- Is subject to the adherence of the requirements outlined in this instruction manual, and is subject to further conditions outlined below.
- This warranty is governed by and construed under the laws of the country in which the purchase took place. We provide 2-year warranty or a warranty period as stipulated by applicable local law, whichever is longer.

## WHAT IS COVERED?

- Your Tineco appliance has a 2-year warranty against original defects in material and workmanship, when used for private household purposes in accordance with the Tineco Instruction Manual. Motorized accessories bought separately come with a 1-year warranty.
- This warranty provides, at no extra cost to you, all labor and parts necessary to ensure your appliance is in proper operating condition during the warranty period.
- This warranty will only be valid if the appliance is used in the country in which it was sold.

## WHAT IS NOT COVERED?

Tineco shall not be liable for costs, damages or repairs incurred as a result of:

- Appliances purchased from an unauthorized dealer.
- Careless operation or handling, misuse, abuse and/or lack of maintenance or use not in accordance with the Tineco Instruction Manual.
- Use of the appliance other than for normal domestic purposes, e.g. for commercial or rental purposes.
- Use of parts not in accordance with the Tineco Instruction Manual.
- Use of parts and accessories other than those produced or recommended by Tineco.
- External factors unrelated to product quality and use, such as weather, modifications, accidents, electrical outages, power surges or acts of God.
- Repairs or alterations carried out by unauthorized parties or agents.
- Failing to clear blockage and other hazardous material from the appliance.
- Normal wear and tear, including normal wearing parts, such as clear bin, belt, filter, HEPA, brush bar, and power cord (or where external damage or abuse is diagnosed), carpet or floor damage due to use not in accordance with manufacturer's instructions or failure to turn the brush bar off when necessary.
- Reduction in battery discharge time due to battery age or use.

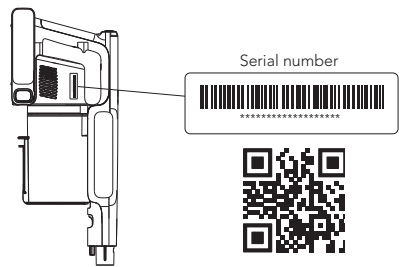
## WARRANTY LIMITATIONS

- Any implied warranties relating to your appliance including but not limited to warranty of merchantability or warranty of fitness for a particular purpose, are limited to the duration of this warranty.
- Warranty coverage applies to the original owner and to the original battery only and is not transferable.
- This limited warranty gives you specific legal rights. You may also have other rights which vary by region.
- Manufacturer's warranties may not apply in all cases, depending on factors such as use of the product, where the product was purchased, or who you purchased the product from.  
Please review the warranty carefully, and contact the manufacturer if you have any questions.

## WARRANTY SERVICE

**Register:** We highly recommend that upon purchase, you register your appliance by logging into our official website ([www.tineco.com](http://www.tineco.com)) or scanning the QR code (see right) to enjoy more exclusive benefits. To register, please enter the whole serial number (remove the dust bin to find the serial number).

Failure to register your product won't diminish your warranty rights.



**How to Claim:** Please retain your proof of purchase. To make a claim under our Limited Warranty, you need to provide your serial number and the original purchase receipt with the purchase date and order number on it.

All work will be carried out by Tineco or an authorized agent.

Any replaced defective parts will become the property of Tineco.

Service under this warranty will not extend the period of this warranty.

Visit Tineco website [www.tineco.com](http://www.tineco.com)  
for expert customer service.

# DAFTAR ISI

Petunjuk Keselamatan Penting.....	11
Spesifikasi.....	13
Pemecahan Masalah.....	14
Garansi.....	15
Perakitan.....	37
Pengaturan.....	38
Indikator Baterai.....	39
Opsi Pengisian Daya.....	40
Pemeliharaan.....	41

Diimpor oleh:  
**PT. BRAHMA TEK INDONESIA**  
Surabaya - Jawa Timur - Indonesia

Didistribusikan oleh:  
CV. Wisnu Tek Indonesia  
Komplek Puncak Permai Square No. A3  
Jalan Raya Darmo Permai 3  
Surabaya, Jawa Timur 60226  
0852-3042-9693

Service Center :

Tangerang  
Duta Indah Iconic Unit B5-B6  
Jalan MH. Thamrin KM.2,  
Panunggangan Utara, Kec. Pinang,  
Kota Tangerang, Banten 15143  
0811-8303-212

Surabaya  
KomplekPlaza Ruko Segi 8 blok A836,  
Jalan Pattimura, Sonokwijenan  
Kec. Sukomanunggal, Surabaya 60189  
0811-8303-212

**tineco**

## Kartu Garansi A30S PET (FW251300VN)

Nama : \_\_\_\_\_

Alamat : \_\_\_\_\_

No. Telp : \_\_\_\_\_

**Customer Care 0811-3225-6666**

**Kartu Garansi resmi berlaku 24 bulan  
setelah pembelian.**

IMKG.1240.06.2024

**TINECO INDONESIA**

### **GARANSI TERBATAS SELAMA 2-TAHUN**

- Hanya berlaku untuk pembelian yang dilakukan dari **CV Wisnu Tek Indonesia**.
- Kondisi alat sesuai dengan ketentuan yang berlaku pada buku panduan dan ketentuan yang lebih lanjut dibawah ini.

### **APA SAJA YANG TERCAKUP?**

- Produk Tineco anda memiliki garansi 2 tahun terhadap kerusakan yang disebabkan oleh kecacatan dalam pembuatan material, dan digunakan untuk keperluan rumah tangga pribadi sesuai dengan buku panduan Tineco. Baterai & segala jenis motor garansi 1 tahun.
- Garansi ini diberikan tanpa ada biaya tambahan kepada anda, seluruh pengerjaan service dan suku cadang yang diperlukan agar memastikan kondisi produk dalam keadaan baik selama masa garansi.
- Garansi ini hanya akan berlaku jika produk digunakan di negara tempat produk tersebut dijual.

### **APA SAJA YANG TIDAK TERCAKUP?**

- Tineco tidak bertanggung jawab atas biaya kerusakan atau perbaikan produk yang terjadi sebagai akibat dari:
- Pembelian produk bukan dari penjual resmi.
  - Penggunaan atau penanganan yang ceroboh, penyalahgunaan dan/atau kurangnya perawatan atau penggunaan yang tidak sesuai dengan instruksi pada buku panduan.
  - Menggunakan produk selain untuk keperluan rumah tangga, mis. untuk tujuan komersial atau persewaan.
  - Penggunaan suku cadang yang tidak sesuai dengan instruksi pada buku panduan Tineco.

- Penggunaan suku cadang dan aksesoris selain yang diproduksi atau direkomendasikan oleh Tineco.
- Faktor eksternal yang tidak terkait dengan kualitas penggunaan produk, seperti cuaca, modifikasi produk, kecelakaan, pemadaman listrik atau bencana alam lainnya.
- Perbaikan atau modifikasi produk yang dilakukan oleh pihak atau agen yang tidak berwenang.
- Salah membersihkan benda yang menyumbat dan bahan yang berbahaya dari produk.
- Keausan normal seperti dustbin, belt, filter, HEPA, bar brush dan kabel listrik (atau didiagnosis adanya penyalahgunaan eksternal yang menyebabkan bahaya), dan lantai yang rusak, penggunaan tidak sesuai dengan petunjuk pabrik, dan kegagalan untuk mematahkan bar brush saat di perlukan.
- Berkurangnya daya baterai yang disebabkan oleh masa pemakaian baterai.

Tempelkan nota pembelian anda disini

**Jakarta**

Duta Merlin Komplek Perkantoran Duta Merlin Blok C, No. 6-7, Jl. Gajah Mada No. 3-5, Petojo Utara, Gambir, Jakarta Pusat, DKI Jakarta 10130

**Tangerang**

Komplek Duta Indah Iconic unit B5-B6.  
Jl. MH. Thamrin Km.02 Kec. Pinang, Kota Tangerang, Banten 15143

**Surabaya**

Komplek Plaza Ruko Segi 8 blok A-836, Jalan Pattimura, Sonokwijenan, Kec. Sukomanunggal, Surabaya, Jawa Timur 60189

**Surabaya**

Surabaya Jl. Mayjen Prof. Dr. Mustopo No. 69-B Kel Pacar Kembang, Tambaksari, Surabaya, Jawa Timur

**Bandung**

Bandung Komplek Ruko Hyper Square No. A2 Bandung, Jl. Pasir Kaliki, Kota Bandung, Jawa Barat 40172

**Semarang**

Jl. Tentara Pelajar No. 3, Jomblang, Candisari, Semarang, Jawa Tengah 50256

**Medan**

Medan Ruko Royal Residence, Jl. Suka Mulia No. 3, Kota Medan

**Pekanbaru**

Jl. Ir. H. Juanda No.14, Sago lantai 1, Kec. Senapelan, Kota Pekanbaru, Riau 28155

**Pontianak**

Menara Digital Lt. 2, Jl. Sultan Abdurrahman 38A, Pontianak Selatan, Kalimantan Barat 78113

**Balikpapan**

Ruko KM. 4 No. 4, andalas lt 2 Jl. Soekarno Hatta, Batu Ampar, Balikpapan, Kalimantan Timur 76125

**Makassar**

Makassar Jl. Rappocini Raya No.41, Kota Makassar, Sulawesi Selatan 90222

**Palembang**

Palembang Jl. Dr. M. Isa No. 1172B, Kota Palembang, Sumatra Selatan

**Bali**

Jl. Teuku Umar No.77, Dauh Puri Kauh, Kec. Denpasar Barat, Kota Denpasar, Bali 80113

# Petunjuk Keselamatan Penting

Saat menggunakan peralatan listrik, tindakan kehati-hatian dasar harus selalu dipatuhi, termasuk berikut ini:

**BACA SEMUA PETUNJUK SEBELUM PENGGUNAAN (PERALATAN INI).** Kegagalan mematuhi peringatan dan petunjuk dapat mengakibatkan sengatan listrik, kebakaran, dan/atau cedera serius.

**PERINGATAN** – Untuk mengurangi risiko kebakaran, sengatan listrik, atau cedera:

1. Peralatan ini dapat digunakan oleh anak-anak berusia 8 tahun ke atas serta orang-orang dengan keterbatasan fisik, sensor, atau kejiwaan, atau orang-orang dengan pengalaman dan pengetahuan yang kurang, jika mereka diberikan pengawasan atau petunjuk mengenai penggunaan alat dengan cara yang aman dan memahami bahaya yang ada. Anak-anak tidak boleh bermain dengan alat ini. Pembersihan dan perawatan pengguna tidak boleh dilakukan oleh anak-anak tanpa pengawasan.
2. Peralatan ini tidak boleh digunakan oleh orang-orang (termasuk anak-anak) dengan keterbatasan fisik, sensor, atau kejiwaan, atau orang-orang dengan pengalaman dan pengetahuan yang kurang, kecuali mereka diberi pengawasan atau petunjuk.
3. **HANYA** untuk penggunaan **DALAM RUANGAN**. Jangan gunakan peralatan di luar ruangan, atau dalam lingkungan komersial atau industri. Jangan gunakan alat pada permukaan basah atau permukaan dengan air tergenang.
4. Jangan biarkan alat digunakan sebagai mainan. Perhatian penuh wajib diberikan ketika digunakan oleh atau di dekat anak-anak, hewan peliharaan, atau tanaman.
5. Hanya gunakan sesuai yang dijelaskan dalam panduan ini. Hanya gunakan peralatan tambahan yang disarankan produsen.
6. Jangan gunakan dengan kabel atau steker yang rusak. Jika alat terjatuh, rusak, tertinggal di luar ruangan, terjatuh ke air, atau tidak bekerja seperti seharusnya, kembalikan ke pusat layanan.
7. Jangan memegang pengisi daya, termasuk steker pengisi daya, dan terminal pengisi daya dengan tangan basah.
8. Jangan menyumbat bukaan. Hentikan penggunaan jika bukaan tersumbat. Bersihkan dan singkirkan benda yang menyumbat menurut petunjuk panduan.
9. Jauhkan rambut, pakaian longgar, jari, dan semua bagian tubuh Anda dari bukaan dan bagian yang bergerak.
10. Beri perhatian lebih ketika membersihkan di tangga.
11. Jangan gunakan untuk mengisi cairan mudah terbakar, misalnya bensin, atau di area tempat cairan tersebut mungkin berada.
12. Jangan mengisap apa pun yang terbakar atau berasap, misalnya rokok, korek api, atau abu panas.
13. Jangan gunakan tanpa penampung debu dan filter.
14. Cegah aktivasi tanpa sengaja. Pastikan sakelar berada di posisi mati sebelum mengisi daya, mengambil, atau membawa peralatan. Membawa alat dengan jari menempel pada sakelar atau menyalakan alat dengan sakelar menyala dapat menyebabkan kecelakaan.
15. Untuk tujuan mengisi daya baterai, hanya gunakan unit suplai yang dapat dilepaskan yang disertakan dengan alat ini. Pengisi daya yang sesuai dengan satu jenis unit baterai dapat menyebabkan risiko kebakaran jika digunakan dengan unit baterai lain.


16. Cabut unit baterai dari alat sebelum melakukan penyesuaian, mengganti aksesoris, atau menyimpan alat. Tindakan keselamatan pencegahan tersebut mengurangi risiko menyalakan alat dengan tidak sengaja.
17. Jika tidak digunakan dengan benar, baterai bisa mengeluarkan cairan; hindari kontak. Jika kontak tidak sengaja terjadi, siram dengan air. Jika cairan terkena mata, cari pertolongan medis. Cairan yang keluar dari baterai dapat menyebabkan iritasi atau luka bakar.
18. Jangan gunakan alat yang rusak atau dimodifikasi. Baterai yang rusak atau dimodifikasi dapat menunjukkan perilaku tak terduga yang dapat mengakibatkan kebakaran, ledakan, atau risiko cedera.
19. Jangan memaparkan alat pada api atau panas berlebih. Pemaparan pada api atau suhu di atas 130°C dapat menyebabkan ledakan.
20. Ikuti semua petunjuk pengisian daya dan jangan isi daya alat di luar rentang suhu yang telah ditentukan dalam petunjuk. Pengisian yang tidak benar atau suhu di luar rentang yang telah ditentukan dapat merusak baterai dan meningkatkan risiko kebakaran.
21. Lakukan servis oleh petugas reparasi berpengalaman hanya dengan suku cadang pengganti yang identik. Ini akan memastikan keamanan produk terpelihara.
22. Peralatan ini berisi sel baterai yang tidak dapat diganti. Jangan memodifikasi atau mencoba memperbaiki alat atau unit baterai kecuali seperti yang diindikasikan dalam petunjuk penggunaan dan perawatan.
23. Selalu matikan alat sebelum menyambungkan atau melepaskan sambungan nozel bermesin.
24. Jangan isi daya atau simpan alat di luar ruangan atau di dalam mobil. Hanya isi daya, simpan, atau gunakan alat di area dalam ruangan kering dengan suhu lebih tinggi dari 4°C dan lebih rendah dari 40°C. Pengisian daya hanya untuk digunakan di dalam ruangan.
25. Hanya gunakan alat dengan unit baterai yang dirancang khusus. Penggunaan unit baterai lain dapat menyebabkan risiko cedera dan kebakaran.
26. Saat unit baterai tidak digunakan, jauhkan dari benda logam lain, misalnya penjepit kertas, koin, kunci, paku, sekrup, atau objek logam kecil lainnya, yang bisa membuat hubungan dari satu terminal ke terminal lain. Terminal baterai yang korsleting dapat menyebabkan luka bakar atau kebakaran.

## SIMPAN PETUNJUK INI

# Spesifikasi

Nama Produk	Seri A20 / Tineco Go
Tegangan	21,6 V $\equiv$
Daya Terukur	300 W
Kapasitas Tempat Debu	1 L
Input AC	100-240 V~
<b> </b>	
Nama Produk	Seri A30S / Tineco Go Pet
Tegangan	25,2 V $\equiv$
Daya Terukur	500 W
Kapasitas Tempat Debu	1 L
Input AC	100-240 V~

## Pembuangan

- Baterai mengandung material yang berbahaya untuk lingkungan dan harus dilepaskan dari alat sebelum dibuang.
- Saat melepas baterai, alat harus dimatikan.
- Baterai, pengisi daya, aksesoris, dan kemasan harus dipilah untuk daur ulang ramah lingkungan. Jangan masukkan ke dalam api, air, atau tanah. Jangan buang baterai dan pengisi daya ke sampah rumah tangga! 
- Jika kebocoran baterai terkena kulit atau pakaian, segera siram dengan air untuk menghindari iritasi dan cari bantuan medis.

# Pemecahan Masalah

Masalah	Kemungkinan penyebab	Solusi
Alat tidak menyala	Tidak ada daya	Isi daya baterai
	Mulut pengisap tersumbat	Periksa dan singkirkan sumbatan
	Baterai masih terhubung ke adaptor	Lepaskan baterai dari adaptor
Daya pengisap lemah	Tempat debu dan filter sudah penuh	Bersihkan tempat debu dan filter
	Unit komponen tidak di posisinya	Periksa semua komponen dan letakkan di posisinya
	Alat tersumbat (yaitu tabung, mulut pengisap, atau bagian lain)	Singkirkan sumbatan
Bunyi mesin abnormal	Alat tersumbat (yaitu tabung, mulut pengisap, atau bagian lain)	Singkirkan sumbatan
Baterai tidak terisi daya	Adaptor tidak dimasukkan ke posisinya	Lepaskan adaptor, lalu pasang kembali dengan benar
	Adaptor salah dipasang	Periksa adaptor dan ganti untuk menggunakan adaptor yang benar
Lampu merah berkedip cepat di baterai	Alat tersumbat atau rol sikat terlilit rambut atau serat	Hentikan alat, singkirkan sumbatan, atau bersihkan rol sikat
	Baterai mengalami panas berlebihan	Biarkan baterai mendingin
	Adaptor tidak dirancang untuk alat ini	Gunakan adaptor asli
Lampu merah berkedip perlahan di baterai	Baterai kehabisan daya	Isi daya baterai

**Catatan:**

Jika panduan pemecahan masalah tidak dapat memberikan solusi, silakan kunjungi situs web kami [www.tineco.com](http://www.tineco.com) untuk dukungan lebih lanjut.

# Garansi

## GARANSI TERBATAS 2 TAHUN

- Hanya berlaku untuk pembelian dari pengecer resmi Tineco.
- Tunduk pada kepatuhan persyaratan yang diuraikan dalam panduan petunjuk ini, dan mematuhi kondisi lebih lanjut yang diuraikan di bawah ini.
- Garansi ini diatur oleh dan ditafsirkan berdasarkan undang-undang negara tempat pembelian dilakukan. Kami menyediakan garansi atau masa garansi 2 tahun sebagaimana diatur oleh undang-undang setempat yang berlaku, mana yang lebih lama.

## APA YANG DILINDUNGI?

- Alat Tineco Anda memiliki garansi 2 tahun dari kerusakan asli dalam material dan pengerjaan, saat digunakan untuk tujuan rumah tangga pribadi yang sesuai dengan Panduan Petunjuk Tineco. Aksesori bermesin yang dibeli terpisah dilengkapi dengan garansi 1 tahun.
- Garansi ini memberikan semua pekerjaan dan suku cadang yang diperlukan, tanpa biaya tambahan, untuk memastikan alat Anda dalam kondisi pengoperasian yang tepat selama periode garansi.
- Garansi ini hanya akan berlaku jika alat digunakan di negara pembeliannya.

## APA YANG TIDAK DILINDUNGI?

Tineco tidak bertanggung jawab atas biaya, kerusakan, atau perbaikan yang muncul akibat:

- Alat dibeli dari penjual tidak resmi.
- Pengoperasian atau penanganan yang tidak hati-hati, penyalahgunaan, dan/atau kurangnya pemeliharaan atau penggunaan yang tidak sesuai dengan Panduan Petunjuk Tineco.
- Penggunaan alat selain untuk tujuan domestik normal, misalnya untuk tujuan komersial atau penyewaan.
- Penggunaan komponen yang tidak sesuai dengan Petunjuk Panduan Tineco.
- Penggunaan komponen dan aksesori selain dari yang diproduksi atau disarankan oleh Tineco.
- Faktor eksternal yang tidak terkait dengan kualitas dan penggunaan produk, misalnya cuaca, modifikasi, kecelakaan, pemadaman listrik, lonjakan listrik, atau bencana alam.
- Perbaikan atau perubahan yang dilakukan oleh pihak atau agen tidak resmi.
- Kegagalan pembersihan sumbatan dan material berbahaya lainnya dari alat.
- Keausan normal, termasuk keausan bagian-bagian normal, misalnya tempat debu, sabuk, HEPA, bilah sikat, dan kabel daya (atau di bagian yang mengalami kerusakan atau penyalahgunaan eksternal), kerusakan karpet atau lantai karena penggunaan yang tidak sesuai dengan petunjuk produsen atau kegagalan mematikan bilah sikat saat dibutuhkan.
- Daya baterai makin cepat habis karena usia baterai atau penggunaan.

## BATASAN GARANSI

- Adanya garansi tersirat yang terkait dengan alat Anda termasuk tetapi tidak terbatas pada garansi kemampuan diperjualbelikan atau garansi kesesuaian untuk tujuan khusus, terbatas pada durasi garansi ini.
- Perlindungan garansi hanya berlaku untuk pemilik asli dan baterai asli dan tidak dapat dipindahkan.
- Garansi terbatas ini memberi Anda hak legal khusus. Anda mungkin juga memiliki hak lain yang bervariasi sesuai wilayah.
- Garansi pabrik mungkin tidak berlaku dalam semua kasus, bergantung pada faktor misalnya penggunaan produk, tempat produk dibeli, atau dari siapa Anda membeli produk. Silakan membaca garansi dengan saksama, dan hubungi pabrik jika Anda memiliki pertanyaan.

## LAYANAN GARANSI

**Mendaftar:** Kami sangat menyarankan Anda pada saat membeli untuk mendaftarkan peralatan dengan masuk ke situs web resmi kami ([www.tineco.com](http://www.tineco.com)) atau memindai kode QR (lihat kanan) untuk menikmati manfaat eksklusif lainnya. Untuk mendaftarkan, silakan masukkan seluruh nomor seri (lepas tempat debu untuk menemukan nomor seri).

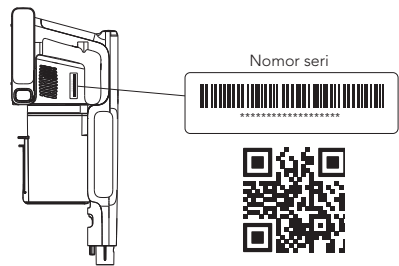
Kegagalan mendaftarkan produk tidak akan mengurangi hak garansi.

**Cara Klaim:** Mohon simpan bukti pembelian Anda. Untuk mengajukan klaim di bawah Garansi Terbatas kami, Anda harus membuktikan nomor seri dan nota pembelian asli dengan tanggal pembelian dan nomor pesanan.

Semua pekerjaan akan dilakukan oleh Tineco atau agen resmi.

Suku cadang rusak yang diganti akan menjadi milik Tineco.

Servis di bawah garansi ini tidak akan memperpanjang periode garansi ini.



Kunjungi situs web Tineco  
[www.tineco.com](http://www.tineco.com)  
untuk layanan pelanggan ahli.

# สารบัญ

คำแนะนำเพื่อความปลอดภัยที่สำคัญ.....	18
ข้อมูลจำเพาะ.....	20
การแก้ไขปัญหา.....	21
การรับประกัน.....	22
การประกอบ.....	37
การตั้งค่า.....	38
ไฟระบุสถานะแบตเตอรี่.....	39
ตัวเลือกการชาร์จ.....	40
การบำรุงรักษา.....	41

# คำแนะนำเพื่อความปลอดภัยที่สำคัญ

เมื่อใช้เครื่องใช้ไฟฟ้าใดๆ ต้องปฏิบัติตามมาตรการความปลอดภัยเบื้องต้นเสมอ รวมถึงสิ่งต่อไปนี้: อ่านคำแนะนำทั้งหมดก่อนใช้งาน (อุปกรณ์นี้) การไม่ปฏิบัติตามคำแนะนำและคำแนะนำอาจทำให้เกิดไฟฟ้าช็อตไฟไหม้และ/หรือการบาดเจ็บร้ายแรง

**คำเตือน** - เพื่อลดความเสี่ยงของไฟไหม้ ไฟฟ้าช็อต หรือการบาดเจ็บ:

1. อุปกรณ์นี้สามารถใช้ได้กับเด็กอายุที่มีอายุตั้งแต่ 8 ปีขึ้นไป สำหรับบุคคลทุกเพศทุกวัยทางการรับรู้ หรือทางจิตใจ หรือขาดประสบการณ์ด้านการใช้งาน จะต้องได้รับการควบคุมดูแลหรือคำแนะนำเกี่ยวกับการใช้งานของอุปกรณ์นี้อย่างใกล้ชิด เพื่อความปลอดภัย เด็กไม่ควรเล่นอุปกรณ์นี้ เด็กไม่ควรทำความสะอาดหรือบำรุงรักษาเครื่องโดยไม่อยู่ภายใต้การควบคุมดูแลของผู้ปกครอง
2. อุปกรณ์นี้ไม่ควรใช้โดยบุคคล (รวมถึงเด็ก) ทุกเพศทุกวัยทางการรับรู้ หรือทางจิตใจ หรือขาดประสบการณ์และความรู้ เว้นแต่จะอยู่ภายใต้การควบคุมดูแล หรือให้คำแนะนำ
3. สำหรับใช้ในร่มเท่านั้น ห้ามใช้อุปกรณ์นี้กลางแจ้ง หรือในสภาพแวดล้อมทางธุรกิจหรืออุตสาหกรรม ห้ามใช้อุปกรณ์นี้บนพื้นเปียกหรือบนพื้นที่มีน้ำขัง
4. ห้ามใช้กับของเล่น ต้องให้ความใส่ใจอย่างใกล้ชิดเมื่อใช้โดย หรือใกล้เด็ก สัตว์เลี้ยง หรือต้นพืช
5. ใช้ตามคำอธิบายในคู่มือนี้เท่านั้น ใช้กับอุปกรณ์เสริมตามคำแนะนำของผู้ผลิตนี้เท่านั้น
6. ห้ามใช้กับสายไฟหรือปลั๊กไฟที่เสียหาย หากเครื่องมีการตกจากที่สูง ได้รับความเสียหาย กิ่งไม้กลางแจ้ง ตกน้ำ หรือไม่ทำงานตามปกติ ให้นำกลับไปที่ศูนย์บริการ
7. ห้ามใช้กับเครื่องชาร์จ รวมถึงปลั๊กของเครื่องชาร์จขณะมีเบี่ยง
8. อย่าให้ช่องเปิดอุดตัน หยุดใช้งานหากช่องเปิดอุดตัน ทำความสะอาดและขจัดวัตถุที่อุดตันช่องเปิดโดยทำตามคำแนะนำในคู่มือ
9. ห้ามไม่ให้เส้นผม เสื้อผ้า นิ้วมือ และส่วนใดก็ตามของร่างกายมาปิดกั้นช่องและส่วนเคลื่อนไหวยื่นต่างๆ
10. ใช้ความระมัดระวังเป็นพิเศษเมื่อทำความสะอาดบนบันได
11. ห้ามใช้ดูดของเหลวที่ติดไฟหรือสั่นดาบได้ เช่น น้ำมันเชื้อเพลิง หรือใช้ในพื้นที่ที่อาจมีสิ่งเหล่านี้
12. ห้ามใช้ดูดสิ่งใดก็ตามที่มีการเผาไหม้ หรือมีควัน เช่น บุหรี่ ไม้ขีดไฟ หรือเตาถ่าน
13. ห้ามใช้ผลิตภัณฑ์โดยไม่มีถังเก็บฝุ่นและตัวกรอง
14. ป้องกันการเริ่มทำงานโดยไม่ตั้งใจ ตรวจสอบว่าสวิตช์อยู่ในตำแหน่ง OFF ก่อนชาร์จ หยิบหรือเคลื่อนย้ายอุปกรณ์ การเคลื่อนย้ายอุปกรณ์โดยวางนิ้วไว้บนสวิตช์ หรือการเสียบปลั๊กขณะที่เปิดสวิตช์ของอุปกรณ์อาจทำให้เกิดอุบัติเหตุ
15. เพื่อวัตถุประสงค์การชาร์จแบตเตอรี่ ให้อุปกรณ์จ่ายไฟแบบถอดได้ที่แนบมาพร้อมกับอุปกรณ์นี้เท่านั้น การใช้เครื่องชาร์จอื่น อาจทำให้เกิดความเสียหายแก่แบตเตอรี่ หรืออาจเกิดอันตรายแก่ผู้ใช้งานได้
16. ถอดแพ็คเกจแบตเตอรี่จากอุปกรณ์ก่อนทำการปรับเปลี่ยนใดๆ เปลี่ยนอุปกรณ์เสริม หรือจัดเก็บอุปกรณ์ เพื่อลดความเสี่ยงจากการที่อุปกรณ์เริ่มทำงานโดยไม่ตั้งใจ
17. ภายใต้อุปกรณ์ที่ไม่เหมาะสม ของเหลวอาจรั่วออกมาจากแบตเตอรี่ ให้หลีกเลี่ยงการสัมผัสของเหลวดังกล่าว หากสัมผัสโดยไม่ได้ตั้งใจ ให้ล้างด้วยน้ำ หากของเหลวเข้าตา ให้ไปพบแพทย์ของเหลวจากแบตเตอรี่อาจทำให้เกิดการระคายเคือง หรือได้รับอันตราย
18. ห้ามใช้อุปกรณ์ที่ได้รับบาดเจ็บหรือดัดแปลง แบตเตอรี่ที่ได้รับความเสียหายหรือถูกดัดแปลงอาจทำงานไม่เสถียร อาจเป็นสาเหตุทำให้เกิดไฟไหม้ การระเบิด หรือความเสี่ยงที่ทำให้ผู้ใช้งานได้รับบาดเจ็บ
19. อย่าให้ผลิตภัณฑ์อยู่ในสภาพแวดล้อมที่เพลิงไหม้หรืออุณหภูมิสูงเกินไป การสัมผัสกับไฟหรืออุณหภูมิที่สูงกว่า 130°C อาจทำให้เกิดการระเบิด
20. ทำตามคำแนะนำในการชาร์จทั้งหมด และอย่าชาร์จอุปกรณ์เกินช่วงอุณหภูมิที่ระบุในคำแนะนำ การชาร์จอย่างไม่เหมาะสมหรือที่อุณหภูมิเกินช่วงที่ระบุอาจทำให้แบตเตอรี่ได้รับความเสียหายและเพิ่มความเสี่ยงของไฟไหม้


21. ทำการซ่อมบำรุงโดยผู้ที่ได้รับการรับรองและใช้อะไหล่ของแท้เท่านั้น ทั้งนี้เพื่อให้มั่นใจได้ถึงความปลอดภัยของผลิตภัณฑ์
22. อุปกรณ์นี้มีเซลล์แบตเตอรี่ชนิดที่ไม่สามารถเปลี่ยนได้ ห้ามดัดแปลงหรือพยายามซ่อมอุปกรณ์ หรือแก้ไขแบตเตอรี่นอกเหนือจากที่ระบุในคำแนะนำการใช้งานและการดูแลรักษา
23. ให้ปิดอุปกรณ์นี้เสมอ ก่อนเชื่อมต่อหรือถอดหัวดูดที่ขับเคลื่อนด้วยมอเตอร์
24. ห้ามชาร์จหรือจัดเก็บอุปกรณ์ไว้กลางแจ้งหรือภายในรถยนต์ ให้ชาร์จ จัดเก็บ หรือใช้งาน อุปกรณ์ในที่แห้งในร่มที่มีอุณหภูมิสูงกว่า 4°C แต่ต่ำกว่า 40°C เท่านั้น ใช้งานเครื่องชาร์จในร่มเท่านั้น
25. ใช้อุปกรณ์ที่มีแบตเตอรี่ที่กำหนดไว้โดยเฉพาะเท่านั้น การใช้แบตเตอรี่รุ่นอื่นๆ อาจมีความเสี่ยงที่จะได้รับบาดเจ็บหรือได้รับอันตราย
26. เมื่อไม่ได้ใช้งานแพคแบตเตอรี่ ให้จัดเก็บให้ห่างจากวัตถุโลหะอื่นๆ เช่น คลิปหนีบกระดาษ เหรียญ กุญแจ ตะปู สกรู หรือวัตถุโลหะขนาดเล็กอื่นๆ ที่อาจลัดวงจรขั้วต่อแบตเตอรี่ การลัดวงจรขั้วแบตเตอรี่อาจทำให้เกิดความร้อนลวกหรือเพลิงไหม้ได้

## โปรดศึกษาคำแนะนำเหล่านี้

# ข้อมูลจำเพาะ

ชื่อผลิตภัณฑ์	A20 / Tineco Go ซีรีส์
แรงดันไฟฟ้า	21.6V ==
กำลังไฟ	300W
ความจุถังเก็บฝุ่น	1 ลิตร
อินพุท AC	100-240V~
<b>ชื่อผลิตภัณฑ์</b>	
ชื่อผลิตภัณฑ์	A30S / Tineco Go Pet ซีรีส์
แรงดันไฟฟ้า	25.2V ==
กำลังไฟ	500W
ความจุถังเก็บฝุ่น	1 ลิตร
อินพุท AC	100-240V~

## การกำจัดขยะ

- แบตเตอรี่มีวัสดุที่อันตรายต่อสภาพแวดล้อมและต้องนำออกจากอุปกรณ์ก่อนที่จะแยกกำจัด
- ขณะให้นำแบตเตอรี่ออก ต้องปิดเครื่องอุปกรณ์ก่อน
- กำจัดแบตเตอรี่ เครื่องชาร์จ อุปกรณ์เสริม และบรรจุภัณฑ์โดยการรีไซเคิลที่เป็นมิตรกับสิ่งแวดล้อม อย่าทิ้งลงในกองไฟ น้ำ หรือดิน อย่าทิ้งแบตเตอรี่หรือเครื่องชาร์จรวมกับขยะในครัวเรือน 
- ถ้าขอล้างจากแบตเตอรี่สัมผัสผิวหนังหรือเสื้อผ้า ให้ล้างออกด้วยน้ำสะอาดทันทีเพื่อหลีกเลี่ยงการระคายเคืองผิวและไปพบแพทย์

# การแก้ไขปัญหา

ปัญหา	สาเหตุที่เป็นไปได้	วิธีการแก้ปัญหา
อุปกรณ์ไม่เปิดเครื่อง	ไม่มีไฟจ่ายเข้า	ชาร์จแบตเตอรี่
	ปากดูดอุดตัน	ตรวจสอบและนำสิ่งที่อุดตันออก
	แบตเตอรี่ยังคงเชื่อมต่ออยู่กับอะแดปเตอร์	ตัดการเชื่อมต่อแบตเตอรี่กับอะแดปเตอร์
กำลังดูดอ่อน	ถังเก็บฝุ่นและตัวกรองเต็ม	ทำความสะอาดถังเก็บฝุ่นและตัวกรอง
	การประกอบชิ้นส่วนไม่ลงตำแหน่ง	ตรวจสอบชิ้นส่วนทั้งหมดและใส่ให้เข้าที่
	อุปกรณ์อุดตัน (อย่างเช่น ถ่อ ปากดูด หรือชิ้นส่วนอื่น)	นำสิ่งที่อุดตันออก
เสียงมอเตอร์ผิดปกติ	อุปกรณ์อุดตัน (อย่างเช่น ถ่อ ปากดูด หรือชิ้นส่วนอื่น)	นำสิ่งที่อุดตันออก
แบตเตอรี่ไม่ชาร์จ	อะแดปเตอร์ไม่ลงตำแหน่งอย่างถูกต้อง	ถอดอะแดปเตอร์ออกแล้วเสียบเข้าไปใหม่ให้ถูกต้อง
	อะแดปเตอร์ประเภทที่ไม่ถูกต้อง	ตรวจสอบอะแดปเตอร์และเปลี่ยนมาใช้อะแดปเตอร์ประเภทที่ถูกต้อง
ไฟสีแดงบนแบตเตอรี่ติดกะพริบเร็ว	อุปกรณ์อุดตันหรือแปรงลูกกลิ้งถูกพันด้วยขนหรือเส้นใย	หยุดเครื่อง แล้วจัดสิ่งที่อุดตันหรือทำความสะอาดแปรงลูกกลิ้ง
	แบตเตอรี่ร้อนเกินไป	ปล่อยให้แบตเตอรี่เย็นลง
	อะแดปเตอร์ไม่ได้ถูกออกแบบมาสำหรับอุปกรณ์นี้	ใช้อะแดปเตอร์ของแท้
ไฟสีแดงบนแบตเตอรี่ติดกะพริบช้า	แบตเตอรี่หมดพลังงาน	ชาร์จแบตเตอรี่

## หมายเหตุ:

ถ้าใช้ขั้นตอนการแก้ไขปัญหาข้างต้นแล้วยังไม่สามารถแก้ไขปัญหาได้ โปรดเยี่ยมชมเว็บไซต์ของเราที่ [www.tineco.com](http://www.tineco.com) เพื่อขอรับการสนับสนุนเพิ่มเติม

# การรับประกัน

## การรับประกันแบบจำกัด 2 ปี

- มีผลใช้กับการซื้อจากร้านขายที่ได้รับอนุญาตของ Tineco เท่านั้น
- ขึ้นอยู่กับการปฏิบัติตามข้อกำหนดที่ระบุไว้ในคู่มือการใช้งานนี้ และขึ้นอยู่กับเงื่อนไขเพิ่มเติมที่ให้ไว้ด้านล่าง
- การรับประกันนี้ครอบคลุมโดยและถือว่ายู่ภายใต้กฎหมายของประเทศที่คุณซื้อผลิตภัณฑ์นี้ เราขอรับการรับประกัน 2 ปีหรือระยะเวลาประกันตามที่กฎหมายท้องถิ่นที่เกี่ยวข้องกำหนดไว้ แล้วแต่ว่าระยะเวลาใดนานกว่า

## คุ้มครองอะไรบ้าง?

- เครื่องใช้ Tineco ของคุณมีการรับประกัน 2 ปี สำหรับข้อบกพร่องใหม่ในวัสดุและฝีมือการผลิต เมื่อนำมาใช้เพื่อวัตถุประสงค์สำหรับครัวเรือนส่วนบุคคลตามคู่มือการใช้งานของ Tineco อุปกรณ์เสริมชนิดขับด้วยมอเตอร์ที่ซื้อแยกต่างหากได้รับการรับประกัน 1 ปี
- การรับประกันนี้ให้บริการแรงงานและชิ้นส่วนทั้งหมดที่จำเป็นโดยไม่มีค่าใช้จ่ายเพิ่มเติมในเพื่อให้คุณมั่นใจว่าเครื่องของคุณจะทำงานได้อย่างเหมาะสมระหว่างระยะเวลาประกัน
- การรับประกันนี้จะมีผลใช้ได้เฉพาะเมื่อใช้งานเครื่องในประเทศที่ขายเครื่องนั้น

## ไม่คุ้มครองอะไรบ้าง?

Tineco จะไม่รับผิดชอบสำหรับค่าใช้จ่าย ความเสียหายหรือการซ่อมแซมที่เกิดขึ้นจากสาเหตุต่อไปนี้

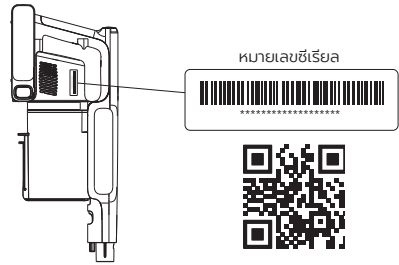
- เครื่องใช้ที่ซื้อจากตัวแทนจำหน่ายที่ไม่ได้รับอนุญาต
- การใช้งานหรือการจัดการอย่างไม่ระมัดระวัง ใช้ไม่ถูกต้อง ใช้ในทางที่ผิด และ/หรือขาดการบำรุงรักษา หรือใช้งานโดยไม่สอดคล้องกับคู่มือการใช้งานของ Tineco
- การใช้เครื่องใช้ที่นอกเหนือจากวัตถุประสงค์ในครัวเรือนทั่วไป เช่น เพื่อการค้าหรือให้เช่า
- การใช้ชิ้นส่วนที่ไม่สอดคล้องกับคู่มือการใช้งาน Tineco
- การใช้ชิ้นส่วนหรืออุปกรณ์เสริมที่นอกเหนือไปจากที่ผลิตหรือแนะนำโดย Tineco
- ปัจจัยภายนอกที่ไม่เกี่ยวข้องกับคุณภาพของผลิตภัณฑ์และการใช้งาน เช่น สภาพอากาศ การดัดแปลงแก้ไข อุบัติเหตุ ไฟฟ้าดับ ไฟกระชาก หรือภัยธรรมชาติ
- การซ่อมหรือปรับแต่งที่กระทำโดยบุคคลหรือตัวแทนที่ไม่ได้รับอนุญาต
- การไม่สามารถจัดสิ่งที่อุดตันและวัสดุอันตรายอื่นๆ ออกจากเครื่อง
- การสึกหรอปกติ รวมถึงการสึกหรอของชิ้นส่วน เช่น ถัง สายรัด ตัวกรอง HEPA แท่งแปรงและสายไฟ (หรือมีการตรวจพบความเสียหายหรือการกระทำที่ผิดจากภายนอก) ความเสียหายของพรมหรือพื้นเนื่องจากการไม่ปฏิบัติตามคำแนะนำของผู้ผลิตหรือการไม่ได้ปิดแท่งแปรงเมื่อจำเป็น
- การลดระยะเวลาการคายประจุของแบตเตอรี่เนื่องจากการใช้งานหรืออายุแบตเตอรี่

## ข้อจำกัดการรับประกัน

- การรับประกันโดยนัยใดๆ ที่เกี่ยวข้องกับเครื่องของคุณ รวมถึงแต่ไม่จำกัดเพียงการรับประกันการใช้ประโยชน์เชิงพาณิชย์หรือการรับประกันในความเหมาะสมกับวัตถุประสงค์เฉพาะ จะถูกจำกัดไว้เฉพาะในช่วงระยะเวลารับประกัน
- ความคุ้มครองของการรับประกันใช้กับเจ้าของดั้งเดิมและแบตเตอรี่ดั้งเดิมเท่านั้นและไม่สามารถโอนสิทธิ์ได้
- การรับประกันที่จำกัดให้สิทธิ์ตามกฎหมายเฉพาะกับคุณ คุณอาจจะมีสิทธิ์อื่นๆ ที่แตกต่างกันไปตามภูมิภาค
- การรับประกันของผู้ผลิตจะไม่สามารถใช้ได้ในทุกกรณี ขึ้นกับปัจจัยต่างๆ เช่น การใช้งานผลิตภัณฑ์ สถานที่ที่มีการซื้อผลิตภัณฑ์นี้ หรือบุคคลที่คุณซื้อผลิตภัณฑ์ด้วย โปรดตรวจสอบการรับประกันอย่างละเอียด และติดต่อผู้ผลิตหากคุณมีคำถามใดๆ

## บริการรับประกัน

**การลงทะเบียน:** เราขอแนะนำว่าหลังจากคุณซื้อผลิตภัณฑ์ โปรดลงทะเบียนอุปกรณ์ของคุณโดยเข้าสู่ระบบในเว็บไซต์ที่เป็นทางการของเรา ([www.tineco.com](http://www.tineco.com)) หรือสแกนรหัส QR (ดูที่ด้านขวา) เพื่อรับสิทธิ์ประโยชน์ที่พิเศษเฉพาะเพิ่มเติมของเรา หากต้องการลงทะเบียน โปรดป้อนหมายเลขซีเรียลที่สมบูรณ์ (ถอดถังเก็บฝุ่นออกและดูหมายเลขซีเรียล) การไม่ได้ลงทะเบียนผลิตภัณฑ์ของคุณไม่ได้ทำให้สิทธิ์การรับประกันของคุณน้อยลง



**วิธีการยื่นขอใช้สิทธิ์:** โปรดเก็บรักษาหลักฐานของการซื้อ หากต้องการยื่นขอใช้สิทธิ์ภายใต้การรับประกันแบบจำกัดของเรา คุณจำเป็นต้องให้หมายเลขซีเรียลและใบเสร็จการซื้อดั้งเดิมของคุณที่ระบุวันที่ซื้อและหมายเลขคำสั่งซื้อ

งานทั้งหมดจะได้รับการดำเนินการโดย Tineco หรือตัวแทนที่ได้รับการอนุญาต ส่วนเสียที่ถูกลบเปลี่ยนจะกลายเป็นทรัพย์สินของ Tineco การบริการภายใต้การรับประกันนี้จะไม่เป็นการเพิ่มระยะเวลาของการรับประกันนี้

เยี่ยมชมเว็บไซต์ของ Tineco  
[www.tineco.com](http://www.tineco.com)  
เพื่อติดต่อฝ่ายบริการลูกค้าโดยผู้เชี่ยวชาญ

# 目錄

重要安全說明 .....	25
商品規格 .....	26
故障處理 .....	27
維修保固 .....	28
組裝 .....	37
設定 .....	38
電池指示燈 .....	39
充電選項 .....	40
維護 .....	41

# 重要安全說明

使用本設備時，應始終遵循基本的預防措施，包括以下內容：

在使用此設備前請閱讀所有說明書的內容。如不遵守警告和說明可能會導致觸電、火災和嚴重傷害。

## 警告 – 以降低火災、觸電或受傷的風險：

1. 兒童以及身體、感官或精神能力較低或缺乏經驗和知識的人士，如獲得有關安全使用設備的監督或指導，並瞭解相關危害，均可使用本設備。兒童請勿將該設備當成玩具。兒童不得在無人監督的情況下進行設備清潔和用戶維護。
2. 除非有人監督或指導，否則身體、感官或精神能力減退或缺乏經驗和知識的人（包括兒童）不得使用本設備。
3. 僅限室內使用。請勿在戶外或在商業或工業環境中使用本電器。請勿在濕潤的表面上或有積水的表面上使用本電器。
4. 本設備不允許被用作兒童的玩具。當在兒童、寵物或植物附近使用本設備時，需要密切注意。
5. 僅按本手冊中所述使用。僅適合使用製造商推薦的配件。
6. 請勿與損壞的電源線或插頭一起使用。如果設備掉落、損壞、留在室外、掉入水中或無法正常工作，請將其送回服務中心。
7. 請勿用濕手觸摸電源供應器，包括電源供應器插頭及充電線。
8. 請勿堵塞開口。如果開口堵塞，請停止使用。根據指導手冊清潔並去除所有堵塞的物體。
9. 確保頭髮，寬鬆的衣物，手指和身體的所有部位遠離設備開口和活動部件。
10. 在樓梯上使用本設備進行清潔時要格外小心。
11. 請勿使用本設備清潔易燃或可燃液體，如汽油，或在可能存放易燃或可燃液體的地方使用。
12. 請勿使用本設備清潔燃燒或冒煙的東西，如香煙、火柴或灰燼。
13. 請勿在沒有集塵盒與濾網的情況下使用。
14. 為防止意外啟動本設備。充電、收拾或攜帶電器之前，請確保開關處於 OFF（斷開）位置。在手指位於開關上的情況下攜帶電器、或在開關處於接通位置時將電器電源開啟，可能造成事故。
15. 為了將電池充電，請僅使用本電器隨附的拆卸式供應單元。適用於不同電池組之間混合使用時可能會產生火災風險。
16. 請先將電池組從設備拔出，再進行任何調整、更換配件或存放設備。這種預防性安全措施能降低意外啟動設備的風險。
17. 在使用不當的情況下，液體可能從電池噴出；要避免接觸。如果意外接觸，用水沖洗。如果液體進入眼睛，請立即尋求醫療幫助。從電池中噴出的液體可能會導致刺激或灼傷。
18. 請勿使用已損壞或改裝過的電器。損壞或改裝的電池可能會產生出無法預測的後果，從而導致火災、爆炸或受傷的風險。
19. 請勿使電器著火或過熱。暴露在火中或高於 130°C 的溫度下可能會導致爆炸。
20. 請遵循所有充電說明，並且請勿在說明中指定的溫度範圍外為電器充電。充電不當或溫度超出規定範圍可能會損壞電池並增加火災風險。
21. 持證維修人員僅可更換相同的替換零件進行維修。這能確保產品的安全性。
22. 本設備包含不可更換的電池。除非使用和維護說明中另有說明，否則不得改裝或試圖修理設備或電池組。
23. 在連接或斷開電動噴管前，請務必關閉本設備。
24. 電器請勿在戶外或車內充電或存放。設備只能在溫度高於 4°C 但低於 40°C 的乾燥室內區域中充電、存放或使用。電源供應器僅適合室內使用。


25. 僅可使用配有特別指定電池組的設備。使用任何其他電池組可能會造成傷害和火災的風險。
26. 電池組不使用時，請使其遠離其他金屬物體，如迴紋針、硬幣、鑰匙、釘子、螺絲或其他小型金屬物體，這些金屬物體會使一個端子與另一個端子連接。電池端子短路可能會造成灼傷或著火。

## 請您妥善保存說明書

## 商品規格

產品名稱	A20 / Tineco Go 系列
工作電壓	21.6V $\equiv$
額定功率	300W
集塵桶容量	1L
輸入電壓	100-240V~
產品名稱	A30S / Tineco Go Pet 系列
工作電壓	25.2V $\equiv$
額定功率	500W
集塵桶容量	1L
輸入電壓	100-240V~

## 廢棄處置

- 電池含有對環境有害的材料，必須從設備中取出后才能丟棄。
- 取出電池時，必須關閉設備電源。
- 電池、充電器、配件和包裝應分類，以符合環保進行廢棄處理。請勿將其放入火裡、水裡或土裡。請勿將電池和充電器棄置到家庭垃圾裡！
- 如果電池洩漏接觸到皮膚或衣服，立即用水沖洗以避免刺激並尋求醫療幫助。

# 故障處理

常見問題	可能原因	解決方法
設備無法打開	沒電	為電池充電
	吸嘴堵塞	檢查並去除堵塞物
	電池仍連接到配接器	將電池從配接器拔出
吸力弱	集塵桶及濾網已滿	請清潔集塵桶及濾網
	零件未組裝至定位	請檢查所有零件並將它們放至定位
	電器堵塞 (即管子、吸嘴或一些其他零件)	清除堵塞
馬達聲音異常	電器堵塞 (即管子、吸嘴或一些其他零件)	清除堵塞
電池無法充電	配接器未插至定位	卸下配接器，然後重新正確插入
	配接器不正確	請檢查配接器並改用正確的配接器
電池上紅燈快速閃爍	電器堵塞或滾刷與毛髮或纖維纏結	停止電器、去除堵塞物或清潔滾刷
	電池過熱	讓電池冷卻
	配接器不適用於本設備	請使用原廠配接器
電池上紅燈緩慢閃爍	電池沒電	為電池充電

## 註記：

如果上述故障處理指南未能提供解決方案，請訪問我們的網站 [www.tineco.com](http://www.tineco.com) 以獲得更多幫助。

# 維修保固

## 2 年有限保固

- 僅適用於從添可授權零售商處購買的商品。
- 須符合本說明手冊中概述的要求，並符合下文描述的條件。
- 本保固受購買所在國家 / 地區的法律管轄並據其解釋。我們提供 2 年保固或適用當地法律規定的保固期，以時間較長者為準。

## 保固範圍

- 根據添可說明手冊，您的添可設備在用於私人家庭用途時，享有 2 年的材料和工藝原始缺陷保固。單獨購買的電動配件享有 1 年保固。
- 本保固免費提供所有必要的人力和配件，以確保您的設備在保固期內處於正常運行狀態。
- 僅當設備在銷售國家 / 地區使用時，此保固才有效。

## 保固範圍之外

對於以下原因所致的成本、損壞或修理，添可概不承擔任何責任：

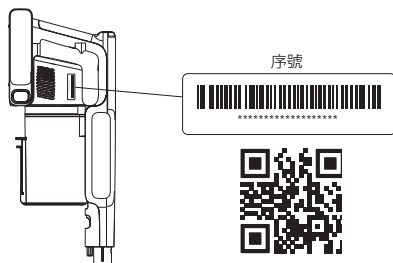
- 從未經授權的經銷商處購買的設備。
- 操作或處理不小心、誤用、濫用和缺乏維護和不符添可說明書的使用。
- 將設備用於正常家庭用途以外的其他用途，例如用於商業或租賃目的。
- 使用不符合添可說明書的配件。
- 使用非添可生產或建議的零件和配件。
- 與產品品質和使用無關的外部因素，如天氣、改裝、事故、停電、電湧或天災。
- 未經授權的一方或代理人進行的維修或改裝。
- 未及時清除設備中的組篩物和其他有害物質。
- 正常磨損，包括正常易損件，如透明箱、皮帶、過濾器、HEPA、刷感和電源線（或診斷出外部損壞或濫用的地方），地毯或地板損壞，因為使用不符合製造商的說明或在必要時未能關閉刷桿。
- 由於電池老化，電池放電時間縮短。

## 保固限制

- 與您的設備相關的任何默示擔保，包括但不限於商銷性默示擔保或特定用途適用性擔保，均以本保證的有效期為限。
- 保固範圍僅適用於原始用戶和原始電池，不可轉讓。
- 本有限保證賦予您特定的法律權利。您可能還擁有其他權利，這些權利因地區而異。
- 製造商的保固可能並非適用於所有情況，具體取決於產品的使用、產品購買地買產品等因素。請仔細閱讀保固，如有任何疑問，請聯繫製造商。

## 保固服務

**註冊：**強烈建議您於購買時登入官方網站 ([www.tineco.com](http://www.tineco.com))，或者掃描 QR 代碼（查看右側）註冊您的設備，以享有更多專屬權益。註冊時，請輸入完整序號（取出集塵桶即可找到序號）。未能註冊您的產品並不會影響到您的保固權力。



**如何索賠：**請保留您的購買證明。若要依據我們的有限保固提出索賠，您必須提供序號和本來的購買收據，上面要有購買日期和訂單號碼。所有工作將由添可或授權代理商實行。任何更換的有缺陷的部件將為添可所有。保固時間不因維修而延長保固期限。

造訪添可網站 [www.tineco.com](http://www.tineco.com)  
尋求專業的客戶服務。

# NỘI DUNG

Hướng Dẫn An Toàn Quan Trọng.....	31
Thông Số Kỹ Thuật.....	33
Xử Lý Sự Cố.....	34
Bảo Hành.....	35
Lắp Đặt.....	37
Cài Đặt.....	38
Đèn Báo Pin .....	39
Lựa Chọn Sạc Pin .....	40
Bảo Dưỡng.....	41

# Hướng Dẫn An Toàn Quan Trọng

Khi sử dụng một thiết bị điện, phải luôn tuân thủ các biện pháp phòng ngừa an toàn cơ bản, bao gồm những biện pháp sau:

**ĐỌC TOÀN BỘ HƯỚNG DẪN TRƯỚC KHI SỬ DỤNG (THIẾT BỊ NÀY).** Các hành vi không tuân thủ cảnh báo và hướng dẫn có thể gây ra điện giật, hỏa hoạn và/hoặc thương tích nghiêm trọng.

**CẢNH BÁO** – Để giảm nguy cơ xảy ra hỏa hoạn, điện giật hoặc thương tích:

1. Trẻ em từ 8 tuổi trở lên và những người bị suy giảm khả năng thể chất, giác quan hoặc tinh thần hoặc thiếu kinh nghiệm và kiến thức có thể sử dụng thiết bị này nếu được giám sát hoặc hướng dẫn sử dụng thiết bị theo cách an toàn và hiểu rõ các mối nguy hiểm có thể xảy ra. Không nên để trẻ em chơi với thiết bị. Trẻ em không được thực hiện vệ sinh và bảo trì người dùng nếu không có sự giám sát.
2. Những cá nhân (kể cả trẻ em) bị suy giảm khả năng thể chất, giác quan hoặc tinh thần, hoặc thiếu kinh nghiệm và kiến thức không được sử dụng thiết bị này trừ khi được giám sát hoặc hướng dẫn.
3. **CHỈ** sử dụng TRONG NHÀ. Không sử dụng thiết bị ở ngoài trời, cũng như trong môi trường thương mại hoặc công nghiệp. Không sử dụng thiết bị trên bề mặt ẩm ướt hoặc bề mặt có nước đọng.
4. Không được phép sử dụng thiết bị như một món đồ chơi. Cần chú ý cẩn thận khi để trẻ em sử dụng thiết bị hoặc khi sử dụng thiết bị ở gần trẻ em, vật nuôi hoặc thực vật.
5. Chỉ sử dụng theo cách được mô tả trong sách hướng dẫn này. Chỉ sử dụng các thiết bị đính kèm được khuyến nghị của nhà sản xuất.
6. Không sử dụng với dây hoặc phích cắm bị hỏng. Nếu thiết bị bị rơi, bị hư hỏng, để ngoài trời, rơi vào nước hoặc không hoạt động như bình thường, hãy mang thiết bị đến trung tâm bảo hành.
7. Không cầm nắm bộ sạc, bao gồm phích cắm bộ sạc và các đầu nối bộ sạc bằng tay ướt.
8. Không bịt kín các lỗ mở. Ngừng sử dụng nếu các lỗ mở bị bịt kín. Làm sạch và loại bỏ bất kỳ vật thể làm bít tắc nào theo hướng dẫn thủ công.
9. Tránh để tóc, quần áo rộng, ngón tay và tất cả các bộ phận của cơ thể tiếp xúc với các lỗ mở và các bộ phận chuyển động.
10. Cực kỳ cẩn thận khi vệ sinh ở cầu thang.
11. Không sử dụng để hút các chất lỏng dễ cháy hoặc dễ bắt lửa, chẳng hạn như xăng, hoặc sử dụng ở những địa điểm có thể có chất lỏng dễ cháy hoặc dễ bắt lửa.
12. Không hút bất cứ vật gì đang cháy hoặc đang bốc khói, chẳng hạn như thuốc lá, que diêm, hoặc tro nóng.
13. Không sử dụng nếu chưa lắp túi đựng bụi bản và bộ lọc.
14. Ngăn ngừa kích hoạt không chủ ý. Đảm bảo công tắc ở vị trí tắt trước khi sạc, nhấc hoặc mang thiết bị. Khi mang thiết bị, đặt ngón tay của bạn trên công tắc hoặc bật nguồn thiết bị khi công tắc đang bật có thể gây ra tai nạn.
15. Với mục đích sạc lại pin, chỉ sử dụng bộ nguồn có thể tháo rời được cung cấp kèm theo thiết bị này. Một bộ sạc tương thích với một loại bộ pin có thể gây ra nguy cơ cháy khi sử dụng với bộ pin khác.
16. Ngắt kết nối bộ pin khỏi thiết bị trước khi thực hiện bất kỳ điều chỉnh nào, thay đổi phụ kiện hoặc cất giữ thiết bị. Các biện pháp phòng ngừa này làm giảm nguy cơ vô tình khởi động thiết bị.


17. Khi sử dụng không đúng cách, chất lỏng có thể bị rò rỉ khỏi pin; tránh tiếp xúc. Nếu vô tình tiếp xúc, hãy rửa sạch bằng nước. Nếu chất lỏng tiếp xúc với mắt, hãy tìm trợ giúp y tế. Chất lỏng rò rỉ từ pin có thể gây kích ứng hoặc bỏng.
18. Không sử dụng thiết bị đã bị hỏng hoặc bị sửa đổi. Pin bị hỏng hoặc bị sửa đổi có thể có những biểu hiện không thể đoán trước được dẫn đến cháy, nổ hoặc có nguy cơ gây thương tích.
19. Không để thiết bị tiếp xúc với lửa hoặc nhiệt độ quá cao. Nếu tiếp xúc với lửa hoặc nhiệt độ trên 130° C thì có thể gây nổ.
20. Tuân theo tất cả các hướng dẫn sạc và không sạc thiết bị bên ngoài phạm vi nhiệt độ được chỉ định trong hướng dẫn. Sạc không đúng cách hoặc ở nhiệt độ ngoài phạm vi quy định có thể làm hỏng pin và tăng nguy cơ hỏa hoạn.
21. Yêu cầu người sửa chữa có trình độ bảo dưỡng chỉ sử dụng các phụ tùng thay thế giống nhau. Điều này sẽ đảm bảo duy trì tính an toàn cho sản phẩm.
22. Thiết bị này chứa các thiết bị pin không thể thay thế được. Không sửa đổi hoặc cố gắng sửa chữa thiết bị hoặc bộ pin trừ khi được chỉ định trong hướng dẫn sử dụng và chăm sóc.
23. Luôn tắt thiết bị này trước khi kết nối hoặc ngắt kết nối vòi phun có động cơ.
24. Không sạc hoặc cất giữ thiết bị ở ngoài trời hoặc bên trong ô tô. Chỉ sạc, cất giữ hoặc sử dụng thiết bị ở khu vực trong nhà khô ráo, nơi có nhiệt độ cao hơn 4° C nhưng thấp hơn 40° C. Chỉ sử dụng bộ sạc ở trong nhà.
25. Chỉ sử dụng các thiết bị với bộ pin được chỉ định cụ thể. Việc sử dụng bất kỳ bộ pin nào khác có thể gây ra nguy cơ xảy ra thương tích và hỏa hoạn.
26. Khi không sử dụng pin, hãy để pin tránh xa các vật kim loại khác, như kẹp giấy, đồng xu, chìa khóa, đinh, ốc vít hoặc các vật kim loại nhỏ khác. Điều này có thể tạo kết nối từ thiết bị đầu cuối này sang thiết bị đầu cuối khác. Việc thu hẹp khoảng cách các cực của pin có thể gây bỏng hoặc hỏa hoạn.

## LƯU GIỮ NHỮNG HƯỚNG DẪN NÀY

# Thông Số Kỹ Thuật

Tên Sản Phẩm	Dòng A20 / Tineco Go
Điện Áp	21,6 V $\equiv$
Công Suất Định Mức	300 W
Sức Chứa của Thùng Rác	1 L
Điện Áp Đầu Vào AC	100-240V~
<b> </b>	
Tên Sản Phẩm	Dòng A30S / Tineco Go Pet
Điện Áp	25,2 V $\equiv$
Công Suất Định Mức	500 W
Sức Chứa của Thùng Rác	1 L
Điện Áp Đầu Vào AC	100-240V~

## Thải Bỏ

- Pin chứa các chất liệu có hại cho môi trường và phải được tháo ra khỏi thiết bị trước khi vứt bỏ.
- Khi tháo rời pin, phải tắt nguồn thiết bị.
- Pin, bộ sạc, phụ kiện và bao bì đóng gói phải được phân loại để tái chế thân thiện với môi trường. Không để pin, bộ sạc, phụ kiện và bao bì đóng gói vào lửa, nước hoặc đất. Không vứt bỏ pin và bộ sạc vào cùng với rác thải sinh hoạt! 
- Nếu pin rò rỉ tiếp xúc với da hoặc quần áo, hãy rửa ngay với nước để tránh bị kích ứng và tìm kiếm hỗ trợ y tế.

# Xử Lý Sự Cố

Vấn đề	Nguyên nhân có thể	Giải pháp
Thiết bị không bật	Không có điện	Sạc pin
	Miệng hút bị chặn	Kiểm tra và loại bỏ nguyên nhân gây tắc
	Pin vẫn đang kết nối với bộ điều hợp	Ngắt kết nối pin khỏi bộ điều hợp
Công suất hút yếu	Thùng rác và bộ lọc đang đầy	Làm sạch thùng rác và bộ lọc
	Kết cấu lắp ráp các bộ phận đang không đúng vị trí	Kiểm tra tất cả bộ phận và đặt chúng vào đúng vị trí
	Thiết bị bị tắc (tức là ống, miệng hút hoặc một số bộ phận khác)	Loại bỏ nguyên nhân gây tắc
Âm thanh động cơ bất thường	Thiết bị bị tắc (tức là ống, miệng hút hoặc một số bộ phận khác)	Loại bỏ nguyên nhân gây tắc
Pin sạc không vào	Bộ điều hợp đang không được đặt vào đúng vị trí	Tháo bộ điều hợp ra và đặt lại đúng
	Bộ điều hợp không đúng	Kiểm tra bộ điều hợp và đổi sang đúng bộ điều hợp
Ánh đèn đỏ nhấp nháy nhanh trên pin	Thiết bị đang bị tắc hoặc con lăn chổi bị các sợi lông hoặc tóc quấn quanh	Dừng thiết bị, loại bỏ vật gây tắc hoặc làm sạch con lăn chổi
	Pin quá nhiệt	Hãy để cho pin nguội
	Bộ điều hợp không được thiết kế dành riêng cho thiết bị này	Sử dụng bộ điều hợp chính
Ánh đèn đỏ nhấp nháy chậm trên pin	Pin hết năng lượng	Sạc pin

## Lưu ý:

Nếu hướng dẫn xử lý sự cố trên không cung cấp giải pháp, vui lòng truy cập trang web của chúng tôi **www.tineco.com** để được hỗ trợ thêm.

# Bảo Hành

## BẢO HÀNH GIỚI HẠN 2 NĂM

- Chỉ áp dụng cho các giao dịch mua từ các nhà bán lẻ được ủy quyền của Tineco.
- Tùy thuộc vào việc tuân thủ các yêu cầu được nêu trong hướng dẫn sử dụng này và phải tuân theo các điều kiện khác được nêu dưới đây.
- Bảo hành này được điều chỉnh và hiểu theo luật của quốc gia nơi diễn ra giao dịch mua. Chúng tôi cung cấp bảo hành 2 năm hoặc thời gian bảo hành theo quy định của pháp luật địa phương hiện hành, tùy theo thời gian nào dài hơn.

## BẢO HÀNH NHỮNG GÌ?

- Thiết bị Tineco của bạn được bảo hành 2 năm đối với các lỗi ban đầu về chất liệu và sản xuất, khi được sử dụng cho các mục đích gia đình riêng theo Hướng Dẫn Sử Dụng của Tineco. Các phụ kiện có động cơ được mua riêng đi kèm được bảo hành 1 năm.
- Bảo hành này cung cấp miễn phí cho bạn tất cả bảo hành toàn bộ và bảo hành bộ phận cần thiết để đảm bảo thiết bị của bạn trong tình trạng hoạt động tốt trong thời gian bảo hành.
- Bảo hành này sẽ chỉ có hiệu lực nếu thiết bị được sử dụng tại quốc gia bán thiết bị.

## KHÔNG BẢO HÀNH NHỮNG GÌ?

Tineco sẽ không chịu trách nhiệm về các chi phí, thiệt hại hoặc sửa chữa phát sinh do:

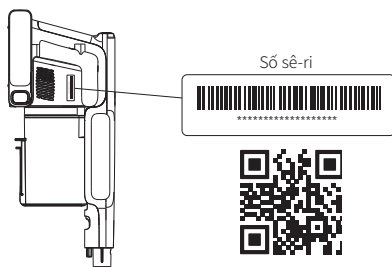
- Thiết bị được mua từ một đại lý không được ủy quyền.
- Vận hành hoặc xử lý bất cẩn, sử dụng sai cách, lạm dụng và/hoặc thiếu bảo trì hoặc sử dụng không tuân theo Hướng Dẫn Sử Dụng của Tineco.
- Sử dụng thiết bị khác với mục đích sinh hoạt thông thường, ví dụ: cho mục đích thương mại hoặc cho thuê thiết bị.
- Sử dụng các bộ phận không tuân theo Hướng Dẫn Sử Dụng của Tineco.
- Sử dụng các bộ phận và phụ kiện khác với những bộ phận và phụ kiện được Tineco sản xuất hoặc đề xuất.
- Các yếu tố tác động bên ngoài không liên quan đến chất lượng và sử dụng sản phẩm, chẳng hạn như thời tiết, những sửa đổi, sự cố, mất điện, quá công suất điện hoặc những hiểm họa tự nhiên.
- Việc sửa chữa hoặc thay thế được thực hiện bởi các bên hoặc đại lý không được ủy quyền.
- Không loại bỏ được nguyên nhân gây tắc và vật liệu nguy hiểm khác khỏi thiết bị.
- Sự hao mòn thông thường, bao gồm các bộ phận hao mòn thông thường, chẳng hạn như thùng rác, dây đai, bộ lọc, HEPA, thân chổi hút và dây nguồn (hoặc phát hiện hư hỏng hoặc lạm dụng từ bên ngoài), thảm hoặc sàn bị hư hỏng do sử dụng không đúng với hướng dẫn của nhà sản xuất hoặc không tắt trên thân chổi hút khi cần thiết.
- Giảm thời gian xả pin do tuổi thọ hoặc quá trình sử dụng pin.

## GIỚI HẠN BẢO HÀNH

- Bất kỳ bảo hành được chỉ định nào liên quan đến thiết bị của bạn bao gồm nhưng không giới hạn ở bảo hành khả năng tiêu thụ hoặc bảo hành phù hợp cho một mục đích cụ thể, đều bị giới hạn trong thời hạn của bảo hành này.
- Phạm vi bảo hành chỉ áp dụng cho chủ sở hữu ban đầu và pin ban đầu và không thể chuyển nhượng.
- Bảo hành giới hạn này cung cấp cho bạn quyền pháp lý cụ thể. Bạn cũng có thể có các quyền khác tùy theo khu vực bán thiết bị.
- Bảo hành của nhà sản xuất có thể không áp dụng trong mọi trường hợp, tùy thuộc vào các yếu tố như việc sử dụng sản phẩm, bạn mua sản phẩm ở đâu và mua từ nhà bán nào. Vui lòng xem xét kỹ chế độ bảo hành và liên hệ với nhà sản xuất nếu bạn có bất kỳ thắc mắc nào.

## DỊCH VỤ BẢO HÀNH

**Đăng ký:** Chúng tôi đặc biệt khuyến nghị bạn khi mua sản phẩm, hãy đăng ký thiết bị của bạn bằng cách đăng nhập vào trang web chính thức của chúng tôi ([www.tineco.com](http://www.tineco.com)) hoặc quét mã QR (xem bên phải) để được hưởng nhiều lợi ích độc quyền hơn. Để đăng ký, vui lòng nhập toàn bộ số sê-ri (tháo thùng rác để tìm số sê-ri). Việc không đăng ký sản phẩm sẽ không làm giảm đi quyền bảo hành của bạn.



**Cách Yêu Cầu Bồi Thường:** Vui lòng giữ lại bằng chứng mua hàng của bạn. Để yêu cầu bồi thường theo Bảo Hành Giới Hạn của chúng tôi, bạn cần cung cấp số sê-ri và biên lai mua hàng ban đầu có ngày mua và số đơn đặt hàng trên đó.

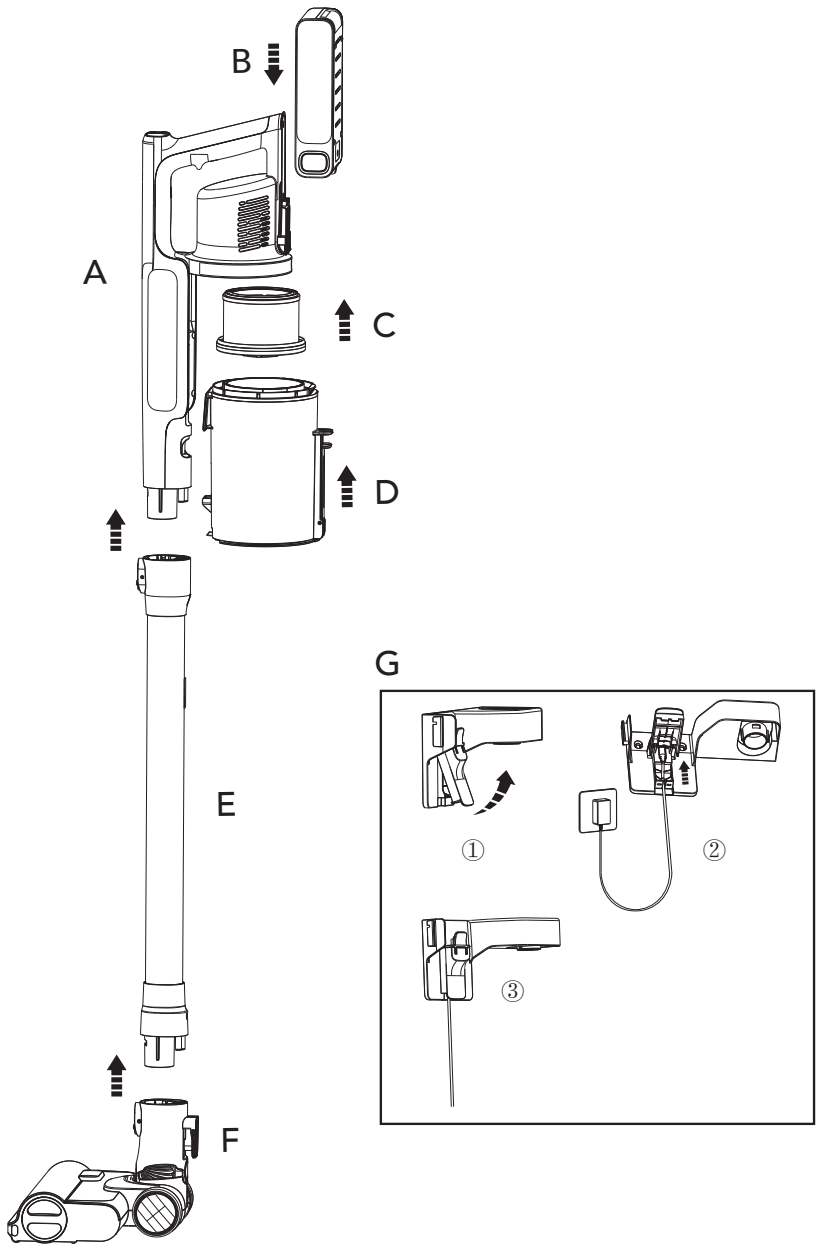
Mọi yêu cầu sẽ do Tineco hoặc đại lý được ủy quyền thực hiện.

Bất kỳ bộ phận bị lỗi được thay thế sẽ trở thành tài sản của Tineco.

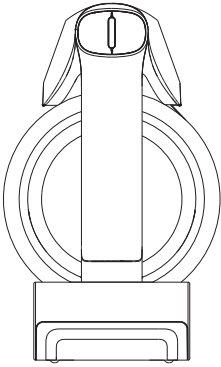
Dịch vụ theo bảo hành này sẽ không kéo dài thời gian bảo hành này.

Truy cập trang web của Tineco  
**[www.tineco.com](http://www.tineco.com)** để sử dụng dịch vụ  
khách hàng chuyên nghiệp.

# Assembly | Perakitan | การประกอบ | 組裝 | Lắp Đặt



# Settings | Pengaturan | การตั้งค่า | 設定 | Cài Đặt



A20 / Tineco Go Series  
Seri A20 / Tineco Go  
A20 / Tineco Go ซีรีส์  
A20 / Tineco Go 系列  
Dòng A20 / Tineco Go



A30S / Tineco Go Pet Series  
Seri A30S / Tineco Go Pet  
A30S / Tineco Go Pet ซีรีส์  
A30S / Tineco Go Pet 系列  
Dòng A30S / Tineco Go Pet



ON/OFF button  
Tombol NYALA/MATI  
ปุ่มเปิด/ปิด  
開/關按鍵  
Nút BẬT/TẮT



Power Setting: Eco/Medium/Max  
Pengaturan Daya:  
Eco/Menengah/Max  
การตั้งค่าพลังงาน:  
Eco/ปานกลาง/Max  
功率設定: 省電/中檔/強力  
Cài Đặt Nguồn Điện:  
Eco/Trung Bình/Max

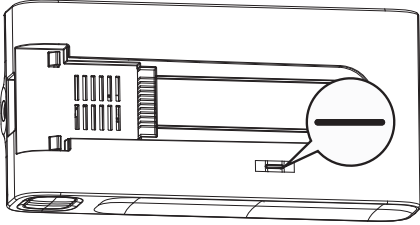


Power Setting: Eco/AUTO/Max  
Pengaturan Daya: Eco/AUTO/Max  
การตั้งค่าพลังงาน: Eco/AUTO/Max  
功率設定: 省電/自動/強力  
Cài Đặt Nguồn Điện:  
Eco/AUTO/Max



Dust Monitoring Bar (Only for A30S series/Tineco Go Pet series)  
Blue to red according to the dust amount  
Bilah Pemantauan Debu (Hanya untuk seri A30S/seri Tineco Go Pet)  
Biru hingga merah menurut jumlah debu  
แถบตรวจสอบฝุ่น (เฉพาะสำหรับ A30S ซีรีส์/Tineco Go Pet ซีรีส์เท่านั้น)  
สีแถบหรือสีฟ้าตามปริมาณฝุ่น  
灰塵監測直條圖 (僅適用 A30S 系列/ Tineco Go Pet 系列)  
根據灰塵量從藍到紅  
Thanh Theo Dõi Bụi Bẩn (Chỉ có ở dòng A30S/Tineco Go Pet)  
Chuyển từ màu xanh dương sang đỏ theo lượng bụi bẩn

# Battery Indicators | Indikator Bateriai | ไฟระบุสถานะแบตเตอรี่ | 電池指示燈 | Đèn Báo Pin



## In Use | Sedang Digunakan | กำลังใช้งาน | 使用中 | Đang Sử Dụng

Green light on: High power

Red light on: Low power

Lampu hijau menyala: Daya tinggi

Lampu merah menyala: Daya lemah

ไฟสีเขียวติด: พลังงานสูง

ไฟสีแดงติด: พลังงานต่ำ

亮綠燈: 強力

亮紅燈: 電量過低

Hiện đèn xanh lục: Nguồn điện cao

Hiện đèn đỏ: Nguồn điện yếu

Red light blinking: Nearly empty

Lampu merah berkedip: Hampir kosong

ไฟสีแดงกะพริบ: พลังงานใกล้หมด

閃紅燈: 快沒電了

Đèn đỏ nhấp nháy: Gần hết pin

## Charging | Mengisi Daya | กำลังชาร์จ | 充電中 | Đang Sạc

Green light on: Full charge. The light will be off 5 mins after full charge

Lampu hijau menyala: Daya terisi penuh. Lampu akan mati 5 menit setelah daya terisi penuh

ไฟสีเขียวติด: ชาร์จเต็มแล้ว ไฟระบุสถานะจะดับ 5 นาทีหลังจากชาร์จเต็ม

亮綠燈: 電量已滿。指示燈會在電量已滿 5 分鐘後熄滅

Hiện đèn xanh lục: Đã sạc đầy. Đèn sẽ tắt sau 5 phút sau khi sạc đầy pin

Green light blinking: Not full charge

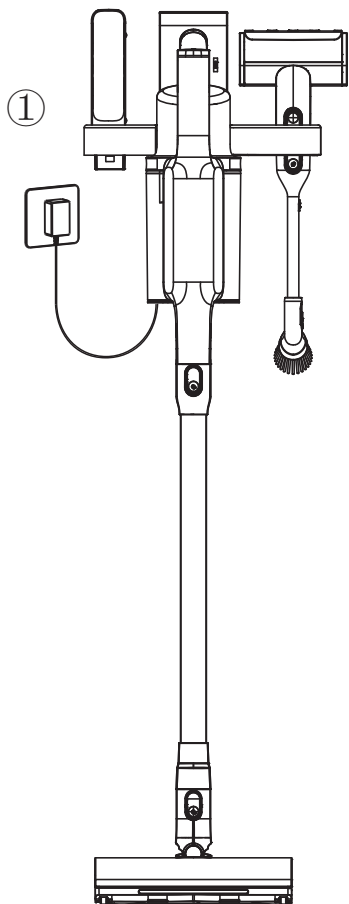
Lampu hijau berkedip: Daya tidak terisi penuh

ไฟสีเขียวกะพริบ: ชาร์จไม่เต็ม

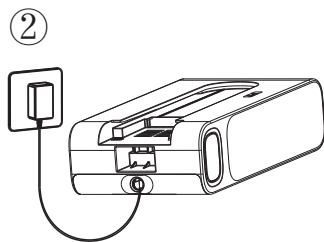
閃綠燈: 電量未滿

Đèn xanh lục nhấp nháy: Chưa sạc đầy

# Charging Options | Opsi Pengisian Daya | ตัวเลือกการชาร์จ | 充電選項 | Lựa Chọn Sạc Pin

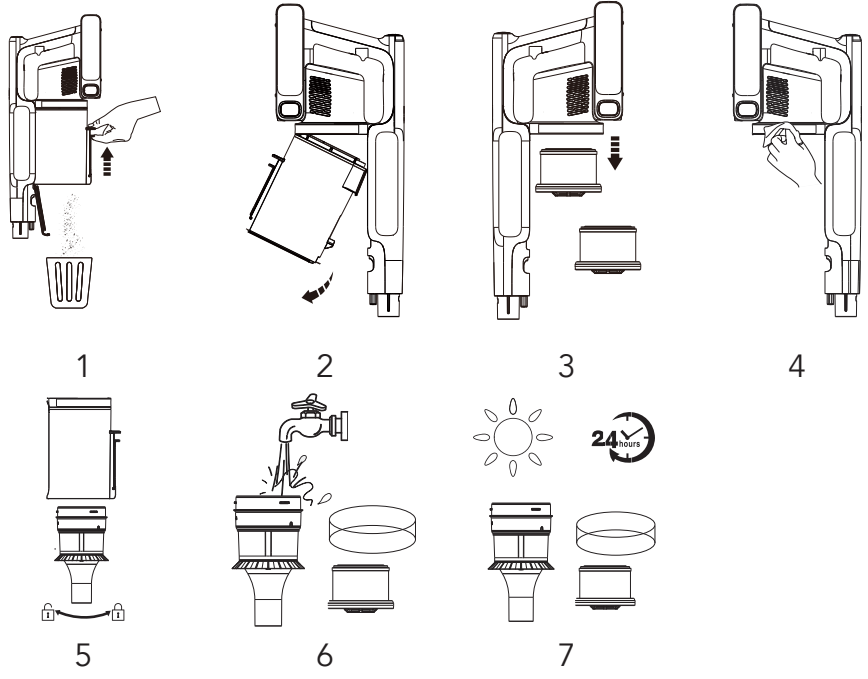


or  
atau  
หรือ  
或  
hoặc

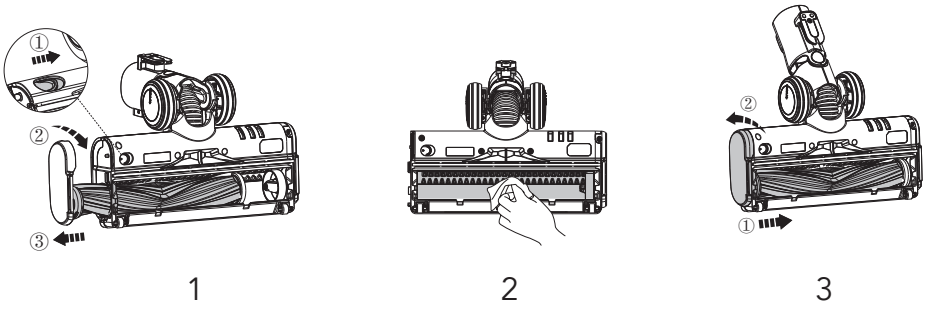


# Maintenance | Pemeliharaan | การบำรุงรักษา | 維護 | Bảo Dưỡng

Dust Bin | Tempat Debu | ถังเก็บฝุ่น | 集塵桶 | Thùng Rác



Brush | Sikat | แปรง | 刷子 | Chổi













**Importir :**

PT. BRAHMA TEK INDONESIA  
SURABAYA - JAWA TIMUR - INDONESIA

**Distributor :**

CV. WISNU TEK INDONESIA  
Jl. Pattimura (Ruko Plaza Segi Delapan Kav.A-836),  
Desa/Kelurahan Sonokwijen, Kec. Sukomanunggal,  
Kota Surabaya, Provinsi Jawa Timur,  
Kode Pos: 60189

IMKG.1240.06.2024

**Customer Care :**

0811 3225 6666